



# Stainelec Hydraulic Equipment

ABN 2100 1350 027

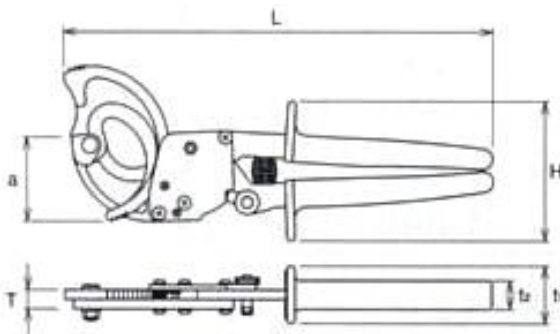
2/605 Hume Hwy, Casula NSW 2170

Tel: (02) 9824 2499 Fax: (02) 9824 2466

info@stainelec.com.au www.stainelec.com.au

## “TOP” RATCHET CABLE CUTTERS

**FINEST QUALITY – PRECISION MADE IN JAPAN**



製品番号	a (mm)	T (mm)	H (mm)	t <sub>1</sub> (mm)	t <sub>2</sub> (mm)	L (mm)
RCC-32A	60	15	90	36	18	262
RCC-45A	65	15	100	36	20	300

### **FEATURES:**

- Robust, forged construction
- Easy to use
- Compact design
- Large capacity
- Gear driven for ease of operation
- Can be used one handed
- Large operating handles
- Emergency release mechanism

### **USES:**

- Building Wire
- SDI cable
- Multi core circular cable
- Aerial bundled cable

**RCC-32A \$315 + GST**

upto 325 sq.mm for copper or aluminium

**RCC-45A \$380 + GST**

upto 500 sq.mm for copper or aluminium